



Features

- 90~264Vac input, **built-in PFC** boost to **380VDC**
- Power stage, 3-phase switches with sensors in one unit for external control (control board VFD-CB sold separately)
- High peak current up to 200% and 5 seconds
- Fanless design for silent operation and long lifetime
- Protections: Short circuit / OCP
- Internal sensors feed out for control:
Current sensor - motor torque control
DC bus voltage sensor - OVP/UVP
Temperature sensor - OTP
- -30~+60°C wide operating temperature
- Suitable for 3-phase motor drive (e.g. BLDC, Induction motor, SynRM)
- 3 years warranty

Applications

- HVAC
- Fan
- Water/Air pump
- Power tools
- Conveyor
- Automatic door
- Fitness equipment

GTIN CODE

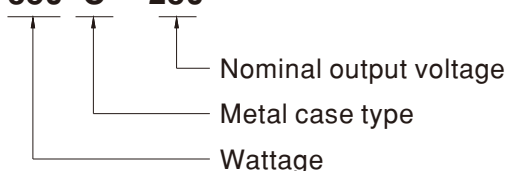
MW Search: <https://www.meanwell.com/serviceGTIN.aspx>

Description

The VFD-350C-230 is an universal variable frequency drive power module providing integrated power stage, gate drivers and basic VFD sensors such as three phase output current and temperature sensors. This product can be implemented for a three phase motor drive solution by coordinating with an external motor drive controller in logic level and analog I/O. The power stage input is single phase full range from 90VAC to 264VAC with PFC function. The 3-phase motor output is up to 240V with 200% peak current capability. The VFD-350C-230 is suitable for three-phase motor drive, such as BLDC, Induction motor, and SynRM applications.

Model Encoding

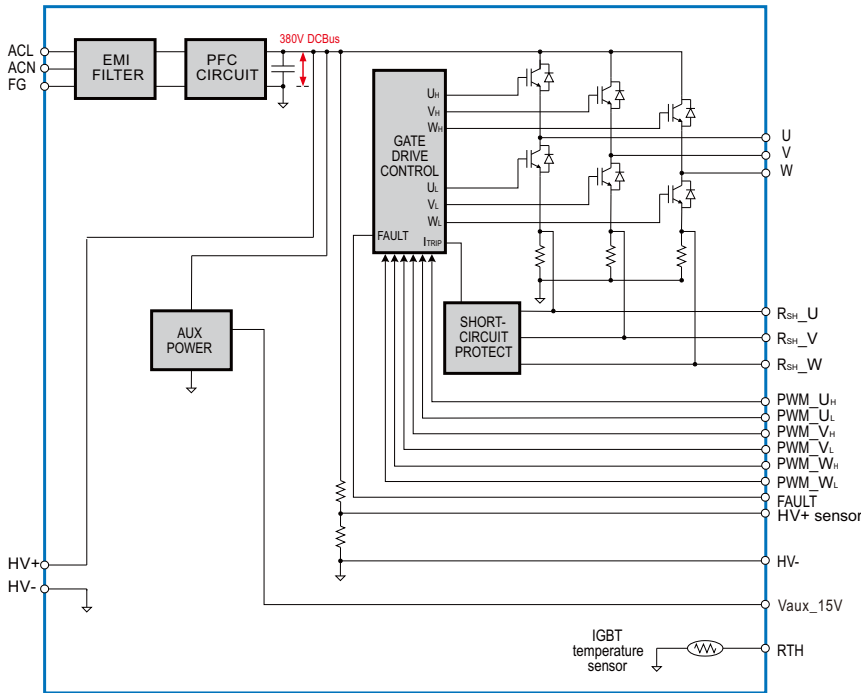
VFD - 350 C - 230



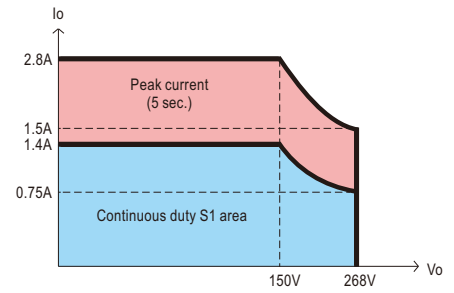
SPECIFICATION

MODEL NO.		VFD-350C-230		
PWM OUTPUT <small>(Note 1,2,3,4)</small>	VOLTAGE RANGE(UVW)	380Vmax, line-to-line voltage 0~268V adjustable with modulated PWM , suitable for 3PH 200-240V class motor		
	CURRENT	Rated	1.4A	
		Peak	2.8A for 5 seconds	
	RATED POWER	350W		
	EFFICIENCY	93%		
	DC BUS VOLTAGE	380±5VDC		
	PWM FREQUENCY	2.5 KHz ~ 15 KHz		
INPUT	RATED INPUT VOLTAGE	90 ~ 264VAC		
	INPUT FREQUENCY RANGE (Hz)	47 ~ 63Hz		
	POWER FACTOR (Typ.)	PF>0.99/115VAC, PF>0.93/230VAC at full load		
	RATED INPUT CURRENT	3.5A /115VAC 2A/230VAC		
	INRUSH CURRENT	Cold start 70A /230VAC		
	LEAKAGE CURRENT	<2mA/240VAC		
CONTROL / FUNCTION <small>(Note 5)</small>	3-PHASE PWM CONTROL	PWM control signal to gate driver for IGBTs. (CN93, PIN8~13) 3.3V TTL/CMOS input: High(>2.7V): IGBT ON ; Low(<0.4V): IGBT OFF		
	3-PHASE CURRENT SENSOR	Built-in 100mΩ low-side shunt resistors on UVW phase (CN93, PIN4~6)		
	DC BUS VOLTAGE SENSOR	DC BUS voltage sensor output (CN93, PIN1) 2.5V@DC BUS 380V		
	THERMAL SENSOR	Built-in 10KΩ NTC for sensing IGBTs operating temperature. (TSM2A103F34D1R (Thinking Electronic), PIN3 of CN93)		
	FAULT SIGNAL	Inverter fault signal(Short circuit/OCP, CN93, PIN7). 3.3V TTL/CMOS output: Normal: High(>3V); Abnormal: Low(<0.5V)		
	AUXILIARY POWER	Non-isolated 15V output power for external control board (CN93, PIN 14 to PIN2) 15V@0.1A ; Tolerance +/- 0.5V, Ripple 1Vp-p max		
PROTECTION	SHORT CIRCUIT	Protection type : Shut down o/p voltage, re-power on to recover		
ENVIRONMENT	WORKING TEMP.	-30 ~ +60°C (Refer to "Dreating Curve")		
	WORKING HUMIDITY	20 ~ 90% RH non-condensing		
	STORAGE TEMP., HUMIDITY	-40 ~ +85°C, 10 ~ 95% RH non-condensing		
	VIBRATION	10 ~ 500Hz, 2G 10min./1cycle, period for 60min. each along X, Y, Z axes		
SAFETY & EMC	SAFETY STANDARDS	CB IEC61800-5-1, TUV/BS EN/EN61800-5-1, EAC TP TC004 approved		
	WITHSTAND VOLTAGE	I/P-FG:2KVAC		
	ISOLATION RESISTANCE	I/P-FG:100M Ohms/500VDC/25°C / 70%RH		
	EMC EMISSION	Parameter	Standard	Test Level / Note
		Conducted	BS EN/EN IEC61800-3	Class A, C2
		Radiated	BS EN/EN IEC61800-3	Class A, C2
		Harmonic Current	BS EN/EN IEC61000-3-2	Class A
		Voltage Flicker	BS EN/EN61000-3-3	-----
	EMC IMMUNITY	BS EN/EN IEC61800-3, second environment		
		Parameter	Standard	Test Level / Note
		ESD	BS EN/EN61000-4-2	Level 3, 8KV air ; Level 2, 4KV contact
		Radiated	BS EN/EN IEC61000-4-3	Level 3
		EFT/Burest	BS EN/EN61000-4-4	Level 3
		Surge	BS EN/EN61000-4-5	Level 3, 2KV/Line-Earth ; Level 3, 1KV/Line-Line
		Conducted	BS EN/EN61000-4-6	Level 3
Magnetic Field		BS EN/EN61000-4-8	Level 4	
Voltage Dips and Interruptions		BS EN/EN IEC61000-4-11	>95% dip 0.5 periods, 30% dip 25 periods, >95% interruptions 250 periods	
Voltage deviation		IEC 61000-2-4 Class 2	±10% Un	
Total Harmonic distortion (THD)	IEC 61000-2-4 Class 3	THD 12 %		
Individual Harmonic orders	IEC 61000-4-13 Class 3			
Frequency variations	IEC 61000-2-4	±4%		
Frequency rate of change	IEC 61000-2-4	2%/s		
OTHERS	MTBF	2078.9K hrs min.Telcordia SR-332 (Bellcore) ; 191.5K hrs min.MIL-HDBK-217F (25°C)		
	DIMENSION (L*W*H)	146*62*31mm		
	PACKING	0.38Kg;32pcs/13.18kg/0.87CUFT		
NOTE	<p>1. 3-phase 220V motor is recommended.Please consider the rated current when used for 100-120V class motor.</p> <p>2. Refer to peak current capability in "V/I Curve".</p> <p>3. Efficiency is tested with inductive load at rated current and full power.</p> <p>4. All parameters NOT specially mentioned are measured at 230VAC input, rated load and 25°C of ambient temperature.</p> <p>5. Please refer to "Functional Manual" for more details.</p> <p>※ Product Liability Disclaimer : For detailed information, please refer to https://www.meanwell.com/serviceDisclaimer.aspx</p>			

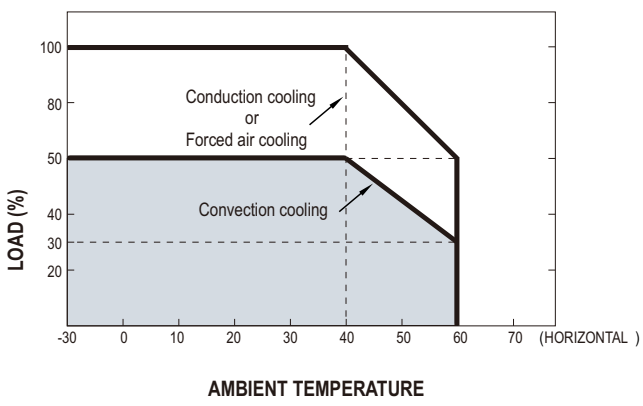
Block Diagram



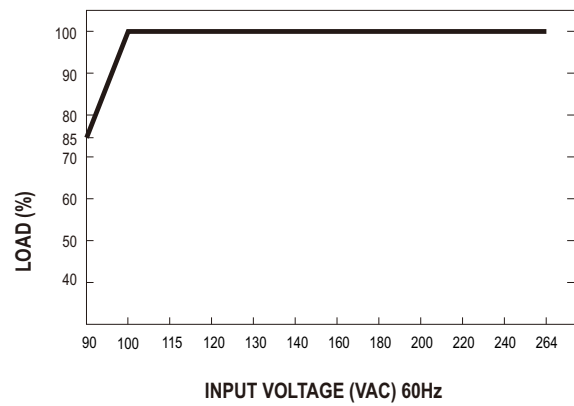
V/I CURVE



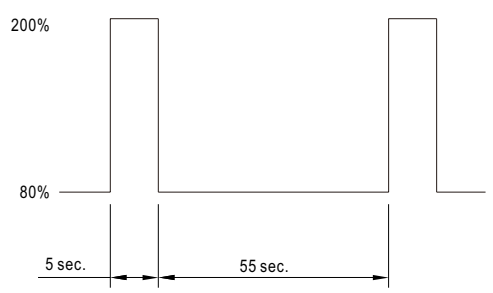
Derating Curve



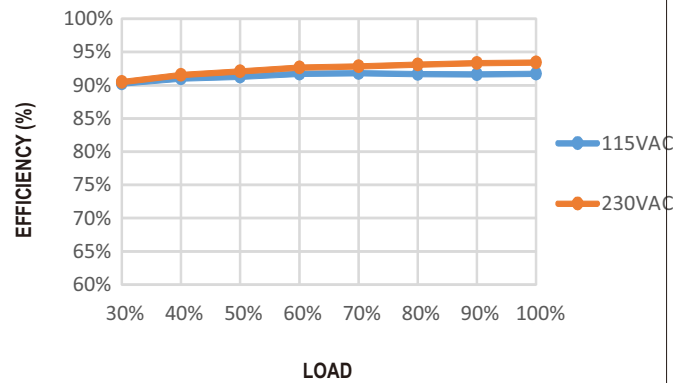
Output Derating VS Input Voltage



Peak Current

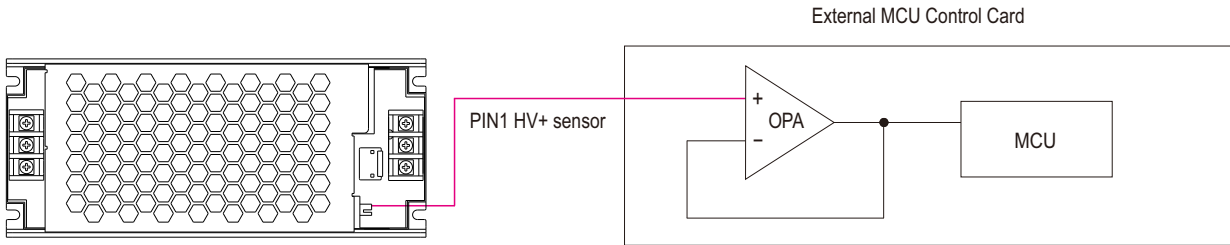


Efficiency vs Load



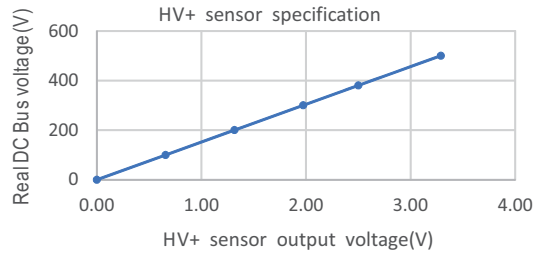
3. DC BUS Voltage Detection (CN93, PIN1)

VFD-350C-230 is built-in with DC bus voltage sensor(HV+ sensor, PIN 1). The sensor provides a 2.5V output when DC bus voltage is at 380V. It's suggested to detect the signal by OPAs. When the voltage of the DC bus exceed 420V, the PWM input signal must shut down for protection.



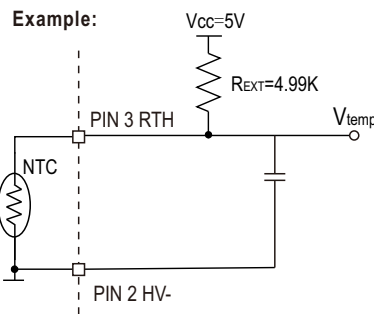
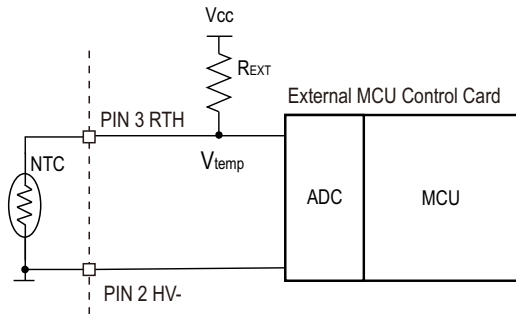
Equation for DC bus voltage calculation:

$$V_{DC\text{ BUS}} = \frac{380 \times \text{HV+ sensor}}{2.5}$$



4. IGBT Temperature Detection (CN93, PIN3)

VFD-350C-230 is built-in a NTC resistor for detecting IGBTs temperature. Users can detect IGBTs temperature for protection. (NTC type: TSM2A103F34D1R, Thinking Electronic) The recommended detection circuit is below. It's suggested to shutdown the PWMs input, if the temperature is above 100°C.

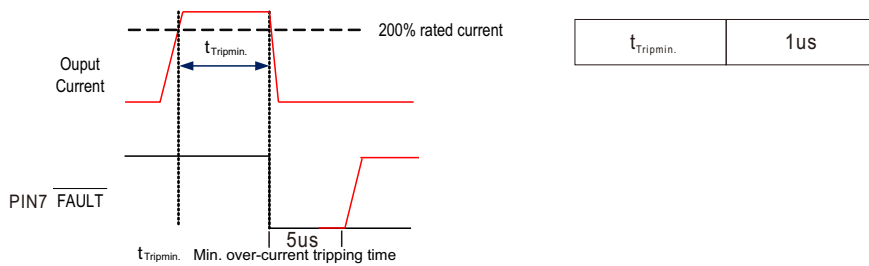


$$V_{temp} = V_{cc} \times \frac{R_{NTC}}{R_{EXT} + R_{NTC}}$$

T _{NTC}	R _{NTC}	V _{temp}
45°C	4.88KΩ	2.47V
100°C	0.96KΩ	0.83V

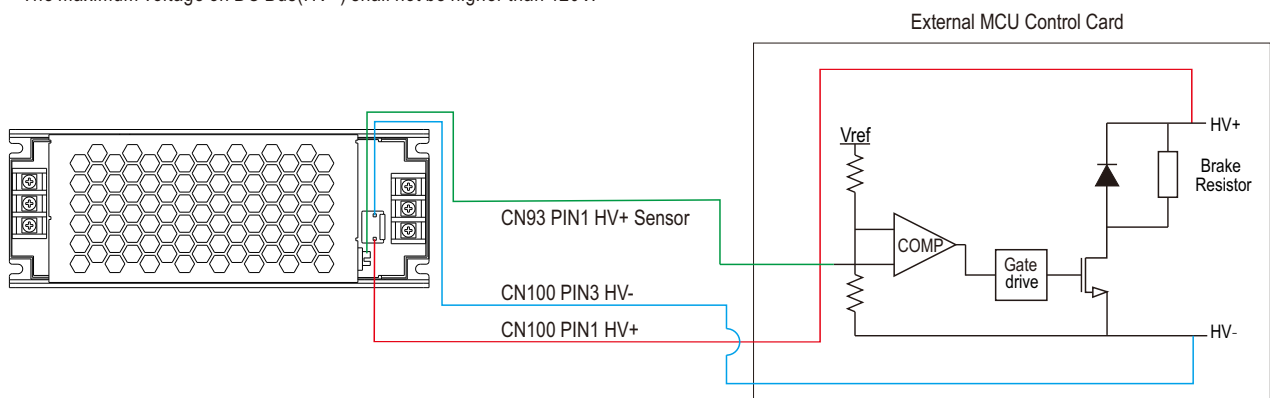
5. Fault signal

If the VFD-350C-230 encounters an overcurrent condition and remains in that state for the minimum overcurrent time, the FAULT signal will be activated (active low) to notify the external controller or circuit.



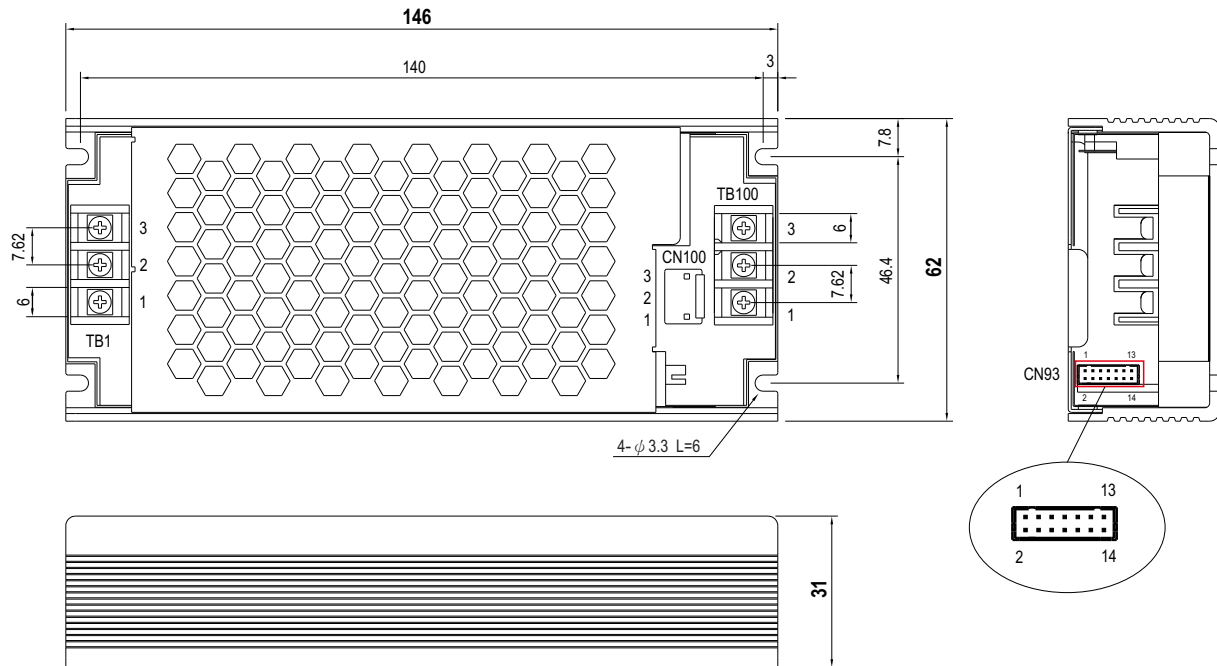
6. Brake Recommendations (CN100, PIN1,3)

VFD-350C-230 reserved CN100 PIN1,3 that connect to HV+, HV- for brake circuit design. The maximum voltage on DC Bus(HV+) shall not be higher than 420V.



Mechanical Specification

(Unit: mm , tolerance ± 1 mm)



AC Input Terminal Pin NO. Assignment (TB1)

Pin No.	Assignment
1	AC/L
2	AC/N
3	\perp

Output Terminal Pin NO. Assignment (TB100)

Pin No.	Assignment
1	U
2	V
3	W

380V DC Bus Connector(CN100): JST B3P-VH or equivalent

Pin No.	Assignment
1	HV+
2	No Pin
3	HV-

Mating housing: JST VHR or equivalent

Terminal: JST SVH-21T-P1.1 or equivalent

※ CN100 is used for installing regenerative brake device, avoiding VFD-350C-230 damage.

Control Pin NO. Assignment (CN93) : HRS DF11-14DP-2DS or equivalent

Pin No.	Assignment	Pin No.	Assignment
1	HV+ sensor	8	PWM_W _H
2	HV-	9	PWM_W _L
3	RTH	10	PWM_V _H
4	R _{SH-U}	11	PWM_V _L
5	R _{SH-V}	12	PWM_U _H
6	R _{SH-W}	13	PWM_U _L
7	FAULT	14	V _{aux_15V}

Mating housing: HRS DF11-14DS or equivalent

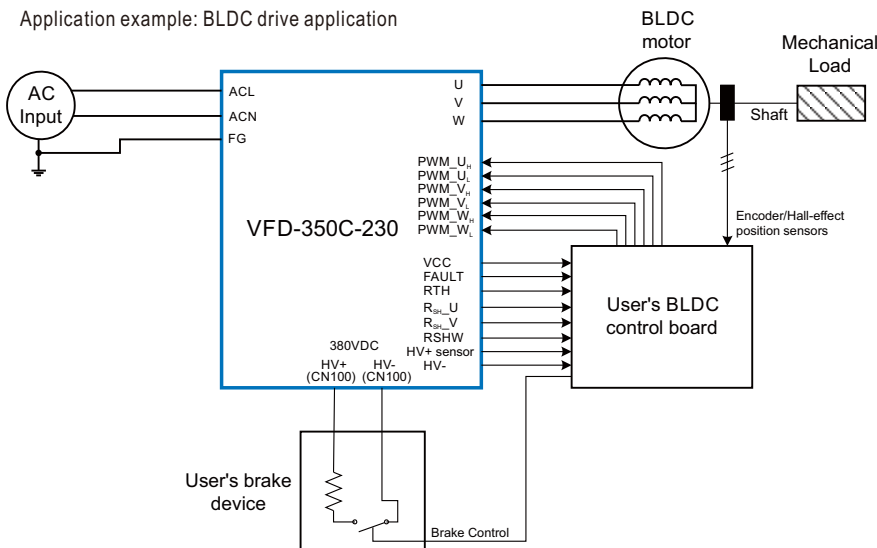
Terminal HRS DF11-14DS or equivalent

※Control Pin No. Assignment(CN93) :

Pin No.	Function	Description
1	HV+ sensor	DC BUS voltage sensor output, reference to pin 2(HV-)
2	HV-	DC BUS voltage sensor output ground
3	RTH	Temperature sensor
4	R _{SH-U}	U phase current sensor output
5	R _{SH-V}	V phase current sensor output
6	R _{SH-W}	W phase current sensor output
7	FAULT	Over current detection. Normal > 3V, Abnormal < 0.5V
8	PWM_U _H	W phase high side logic input, on > 2.7V ; off < 0.4V
9	PWM_U _L	W phase low side logic input, on > 2.7V ; off < 0.4V
10	PWM_V _H	V phase high side logic input, on > 2.7V ; off < 0.4V
11	PWM_V _L	V phase low side logic input, on > 2.7V ; off < 0.4V
12	PWM_U _H	U phase high side logic input, on > 2.7V ; off < 0.4V
13	PWM_U _L	U phase low side logic input, on > 2.7V ; off < 0.4V
14	Vaux_15v	Auxiliary voltage output 15V reference to pin2 (HV-). The maximum load current is 0.1A

Application

Application example: BLDC drive application

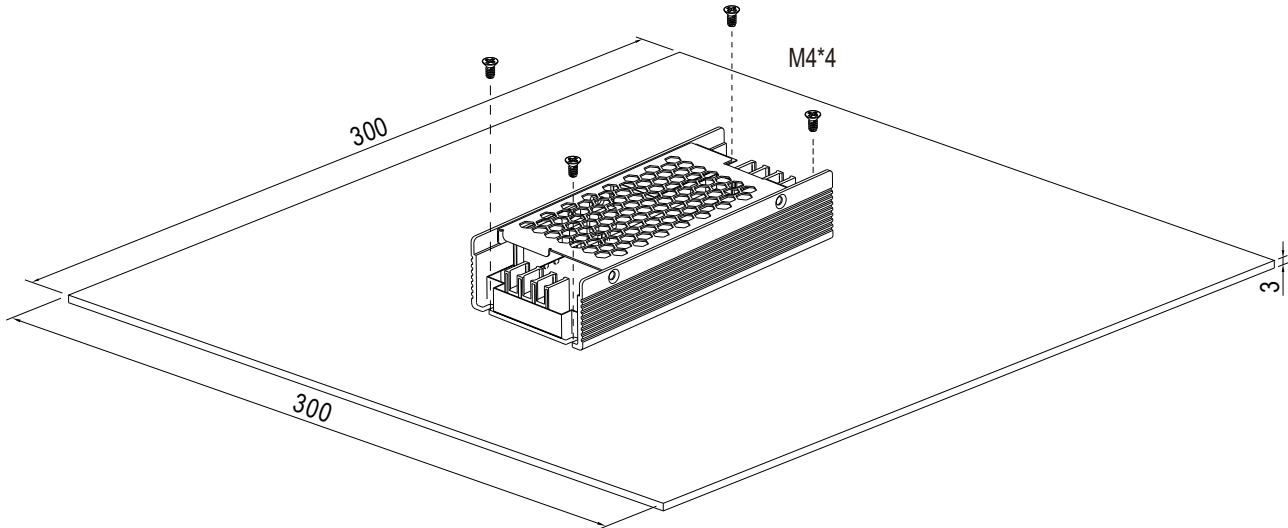


- 1.The figure shows a BLDC drive system set up with VFD-350C-230.
- 2.Developers can control the PWM signal of 6-switch by using SPWM or SVPWM, etc. for 3-phase voltage modulation, and build the control method base on the current shunt sensors on 3-phase low-side switch(R_{sh-U}/V/W) and the DC BUS voltage sensor(HV+ sensor) which provided by VFD-350C-230.
- 3.Developers can select the appropriate BLDC position sensors such as encoder or Hall-effect sensors to fit their applications.
- 4.It's suggested to install the brake circuit/device at the HV+/HV- pin(DC BUS,CN100) to avoid the DC BUS OVP when BLDC is decelerating.
- 5.It's suggested to shut down the PWM input or connect to brake resistor device for safety when DC Bus voltage is higher than 420V.
- 6.If VFD-350C-230 was applied with non-appropriate control, such as accelerating too quickly or bad current control, it might trig the VFD-350C-230's fault-state to shut down the output voltage(low-level on FAULT pin).

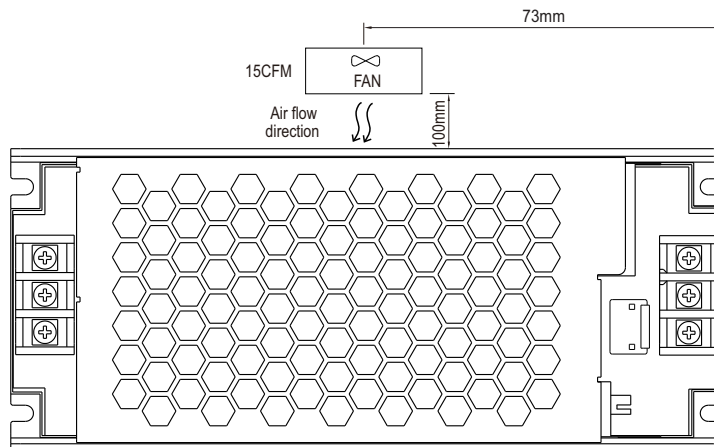
■ Installation

1. Operate with additional aluminum plate

In order to meet the "Derating Curve" and the "Static Characteristics", VFD series must be installed onto an aluminum plate (or the cabinet of the same size) on the bottom. The size of the suggested aluminum plate is shown as below. And for optimizing thermal performance, the aluminum plate must have an even and smooth surface (or coated with thermal grease), and VFD series must be firmly mounted at the center of the aluminum plate.





2. With 15CFM forced air

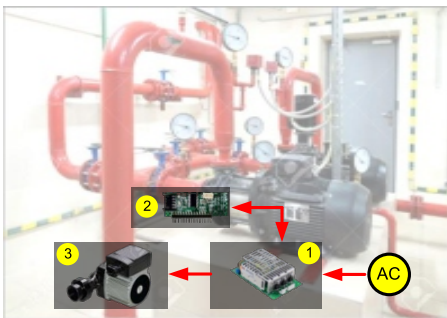


■ Accessory List

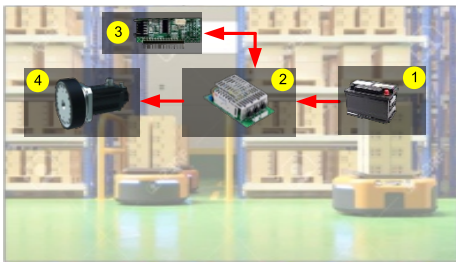
If you have any control requirement of specific application, please consult MEAN WELL for more details.
 Motor control board ([Motor control board and VFD drive module should be ordered separately](#)):

MW's order No.	Control Board	Assembly Suggestion	Quantity
VFD-CB			1

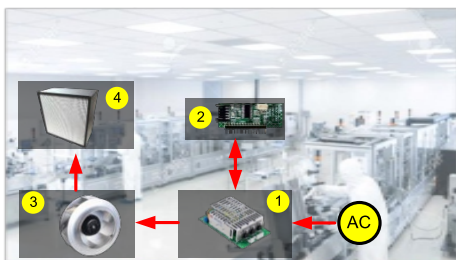
■ Typical Application



- ① Variable Frequency Module (VFD series)
- ② Control board of Variable Frequency Drive (Designed by User or Solution Provided by MEAN WELL)
- ③ 3-phase Pump Motor



- ① Battery
- ② Variable Frequency Module (VFD series)
- ③ Control board of Variable Frequency Drive (Designed by User or Solution Provided by MEAN WELL)
- ④ 3-phase Wheel Motor for AGV Application



- ① Variable Frequency Module (VFD series)
- ② Control board of Variable Frequency Drive (Designed by User or Solution Provided by MEAN WELL)
- ③ 3-phase Fan Motor
- ④ HEPA for Filtering Air

■ DEMO KIT

Please contact MEAN WELL for more detail.



VFD Demo Kit Main Function and Features.

- ① Built-in VFD-350P-230 and 230V motor.
- ② Motor start /stop/ forward/ reverse/speed control.
- ③ Motor start /stop/forward /reverse indicator right.
- ④ Motor speed (RDM)display.
- ⑤ Control board replaceable.
- ⑥ Support external motor connection.

■ Installation Manual

Please refer to : <http://www.meanwell.com/manual.html>